

# 3020, 9V

## Mid Power LED



### Table of Contents

Technology Overview . . . . .	2
Product Selection Table . . . . .	3
Operating Characteristics . . . . .	4
Chromaticity Diagram . . . . .	5
Color Ranks . . . . .	5
Chromaticity Coordinate Group .....	6
Characteristics Graphs . . . . .	7
Solder Profile . . . . .	8
Ordering Nomenclature . . . . .	9
Package dimension . . . . .	10
Soldering Pad Pattern . . . . .	10
Dimension and Polarity . . . . .	11
Package Dimensions . . . . .	12
Box Packaging . . . . .	13

### Features:

---

- High efficacy
- CRI Options: Minimum 70, 80, 90
- Low thermal resistance
- Compatible with automatic placement equipment
- Compatible with infrared reflow solder process
- RoHS and REACH compliant

### Applications

---

- |  |  |
|--|--|
| <ul style="list-style-type: none"><li>• Linear fluorescent</li><li>• A- lamps</li><li>• Panel lighting</li></ul> | <ul style="list-style-type: none"><li>• Down lights</li><li>• Architectural lighting</li></ul> |
|--|--|

## Technology Overview

Luminus mid power LEDs are lighting class solutions designed for high performance general lighting applications. These state-of-the-art LEDs allow illumination engineers and designers to develop lighting solutions with maximum efficacy, brightness and overall quality.

### Reliability

Luminus mid power LED is one of the most reliable light sources in the world today. Having passed a rigorous suite of environmental and mechanical stress tests, including mechanical shock, vibration, temperature cycling and humidity, it is fully qualified for use in a wide range of high performance and high efficacy lighting applications.

### REACH and RoHS Compliance

The Luminus 3020 Mid Power LED is compliant to the Restriction of Hazardous Substances Directive or RoHS. The restricted materials including lead, mercury cadmium, hexavalent chromium, polybrominated biphenyls (PBB), polybrominated diphenyl ether (PBDE), Bis(2-Ethylhexyl) phthalate (DEHP), Dibutyl phthalate (DBP), Benzyl butyl phthalate (BBP) and Diisobutyl phthalate (DIBP) are not used.

## Understanding Luminus Mid Power LED Test Specifications

Every Luminus LED is fully tested to ensure it meets the high quality standards customers have come to expect from Luminus products.

### Testing Temperature

Luminus Mid Power products are measured at a case temperature of 25°C and placed into intensity, chromaticity and voltage bins as described herein

**Product Selection Table**

 Test condition = 100 mA,  $T_c = 25^\circ\text{C}$ 

Nominal CCT	Minimum CRI	Ordering Part Number	Minimum Flux @ 100mA (Lumens)	Typical Flux @ 100mA (Lumens)	Typical Flux @ 65mA (Lumens)
2700K	80	MP-3020-3100-27-80	107	118	75
	90	MP-3020-3100-27-90	100	107	68
3000K	70	MP-3020-3100-30-70	122	130	83
	80	MP-3020-3100-30-80	114	124	79
	90	MP-3020-3100-30-90	107	113	72
3500K	80	MP-3020-3100-35-80	114	126	80
	90	MP-3020-3100-35-90	107	115	73
4000K	70	MP-3020-3100-40-70	122	138	88
	80	MP-3020-3100-40-80	114	128	82
	90	MP-3020-3100-40-90	107	116	74
5000K	70	MP-3020-3100-50-70	122	138	88
	80	MP-3020-3100-50-80	114	128	82
5700K	70	MP-3020-3100-57-70	122	138	88
	80	MP-3020-3100-57-80	114	128	82
6500K	70	MP-3020-3100-65-70	122	138	88
	80	MP-3020-3100-65-80	114	128	82

\*Tolerance of measurements of the luminous flux is  $\pm 7\%$

\* Tolerance of measurements of the CRI is  $\pm 2$

\*IFP condition with Pulse: Width  $\leq 100\mu\text{s}$  Duty cycle  $\leq 1/10$

**3020 Mid Power Operating Characteristics**
**Optical and Electrical Characteristics ( $T_c=25^\circ\text{C}$ )**

Parameter	Symbol	Minimum	Typical	Maximum	Unit	Condition
Forward Voltage	$V_f$		9.0	10.0	V	$I_f=100\text{mA}$
Reverse Current	$I_r$			10	$\mu\text{A}$	$V_r=5\text{V}$
View Angle	$2\theta^{1/2}$		120		$^\circ$	$I_f=100\text{mA}$
Thermal Resistance	$R_{th_{j-sp}}$		16		$^\circ\text{C/W}$	$I_f=100\text{mA}$
Electrostatic Discharge	ESD	1000			V	

\*Typical  $V_f=9.2$  for production before December 2016

Note 1: To prevent damage refer to operating conditions and derating curves for appropriate maximum operating conditions

Note 2: Maximum operating case temperature combined with maximum drive current defines the total maximum operating condition for the device. To prevent damage, please follow derating curves for all operating conditions.

Note 3: Mid power LEDs are designed for operation up to an absolute maximum forward drive current as specified above. Product lifetime data is specified at typical forward drive currents. Sustained operation at absolute maximum currents will result in a reduction of device lifetime compared to typical forward drive currents. Actual device lifetimes will also depend on case temperature. Refer to the current vs. case temperature derating curves for further information.

Note 4: Caution must be taken not to stare at the light emitted from these LEDs. Under special circumstances, the high intensity could damage the eye.

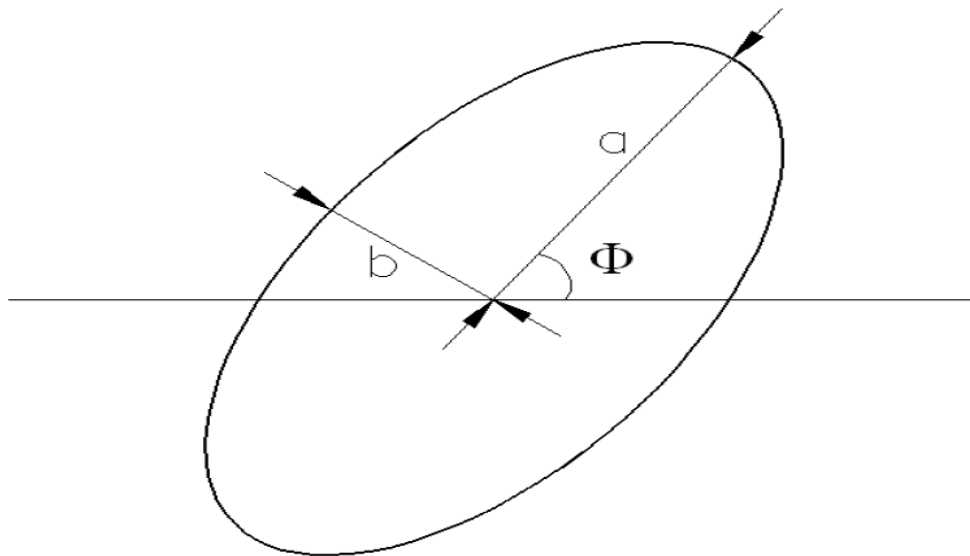
**Absolute Maximum Ratings ( $T_c=25^\circ\text{C}$ )**

Parameter	Symbol	Rating	Unit
Forward Current	$I_f$	120	mA
Pulse Forward Current	$I_{fp}$	180	mA
Power Dissipation	$P_d$	1200	mW
Reverse Voltage	$V_r$	5	V
Operating Temperature	$T_{opr}$	-40~+105	$^\circ\text{C}$
Storage Temperature	$T_{stg}$	-40~+105	$^\circ\text{C}$
Junction Temperature	$T_j$	125	$^\circ\text{C}$
Soldering Temperature	$T_{sld}$	230 $^\circ\text{C}$ or 260 $^\circ\text{C}$ for 10 sec	

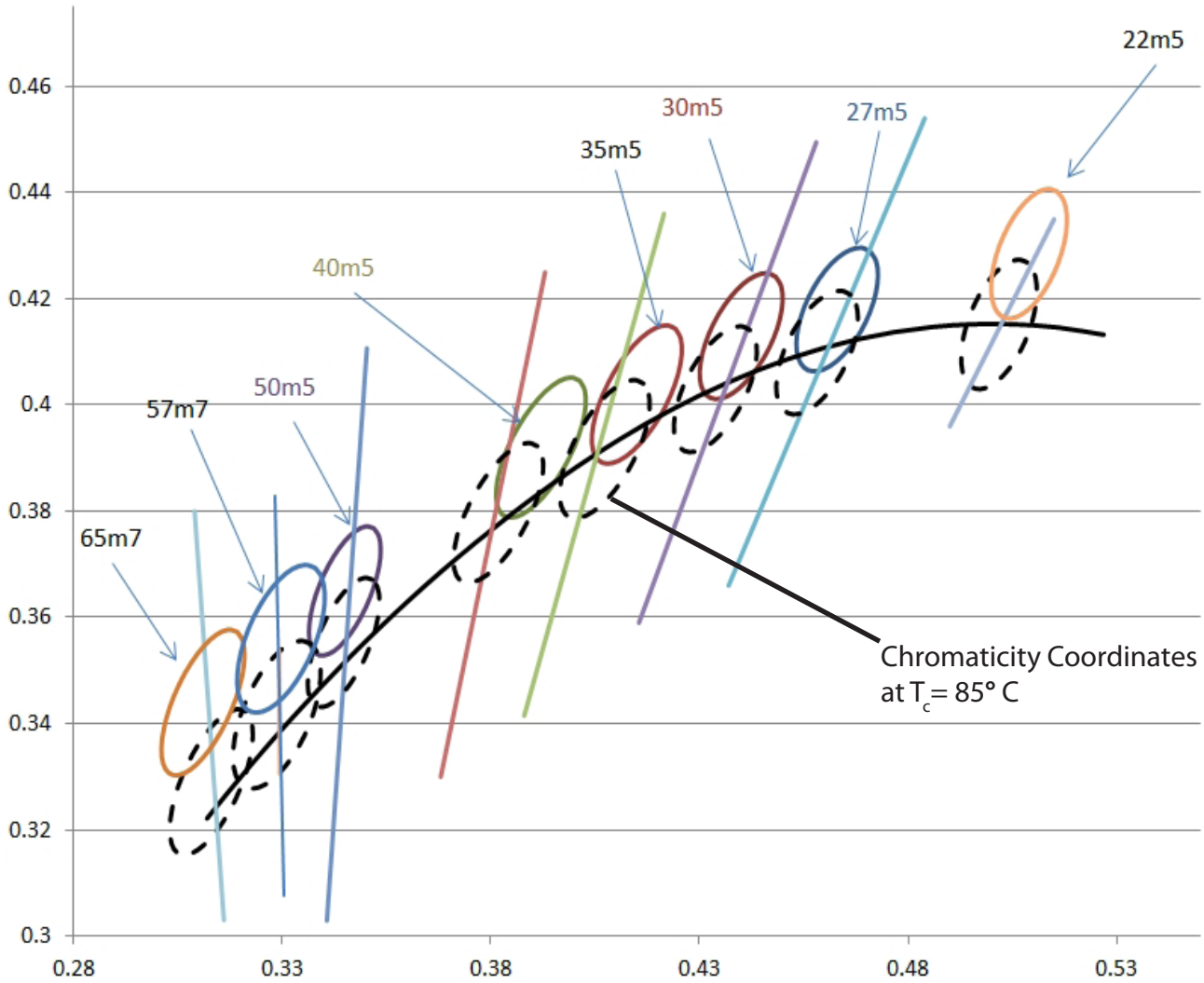
\*IFP condition with Pulse: Width  $\leq 100\mu\text{s}$  Duty cycle  $\leq 1/10$

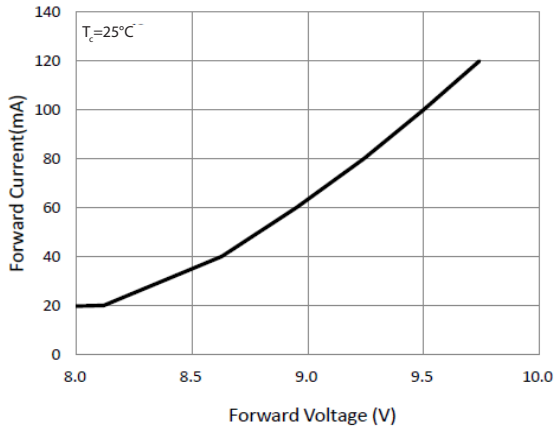
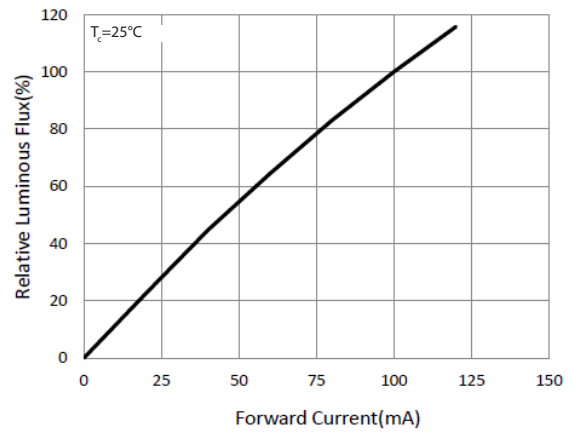
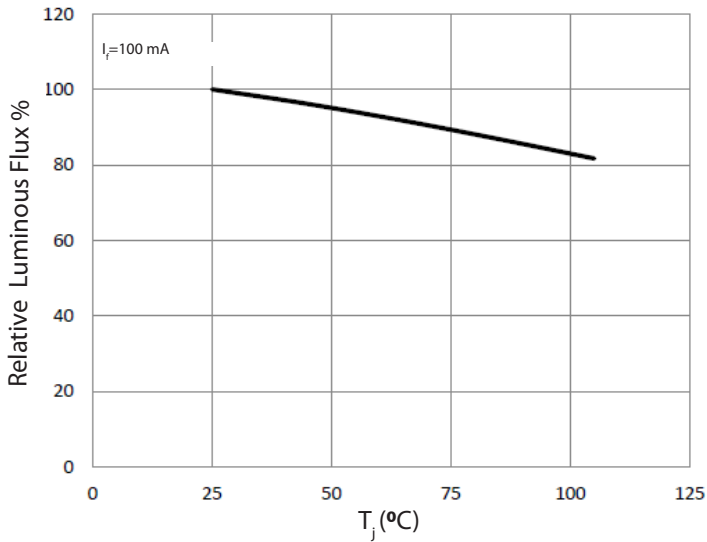
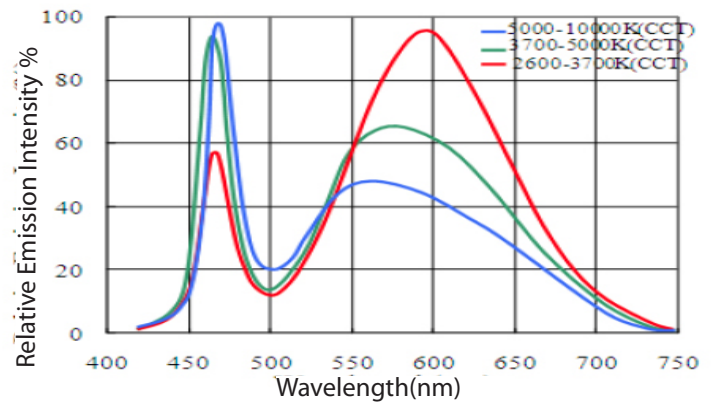
**Color Bins**

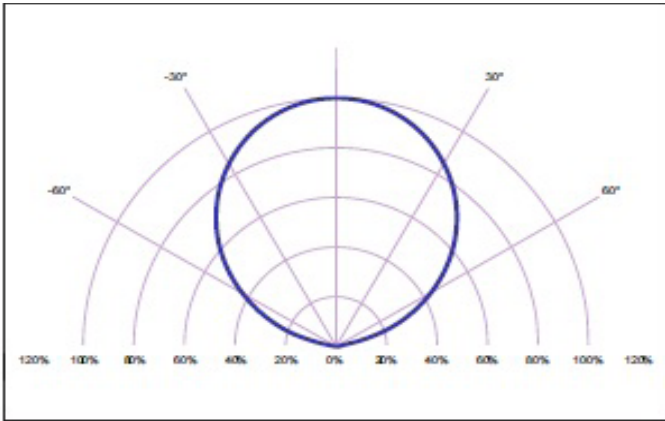
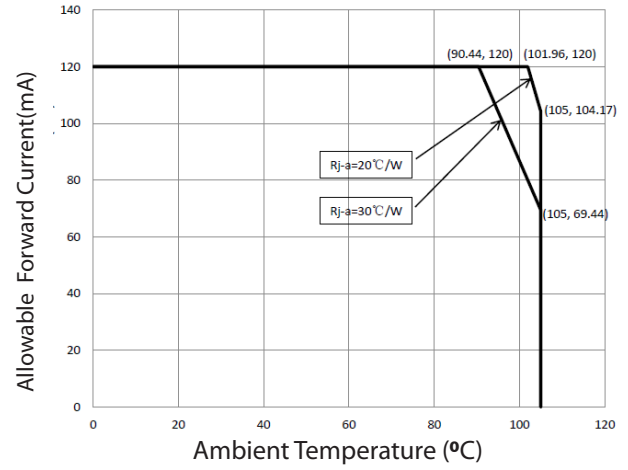
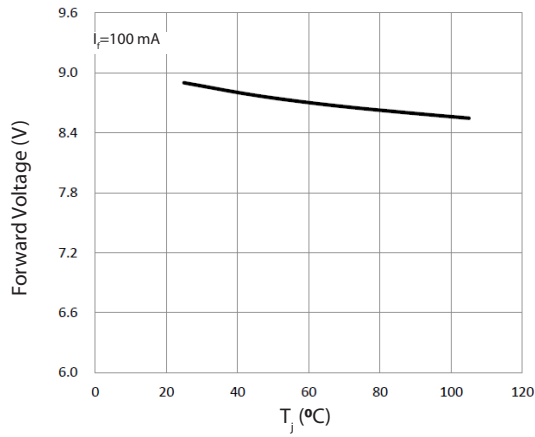
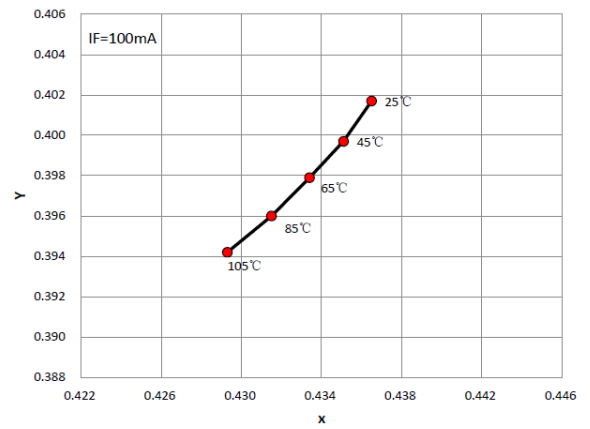
Color Code	Center		Radius		Angle(deg)
	x	y	a	b	$\phi$
22m5	0.5018	0.4152	0.013500	0.00700	59.90
27m5	0.4582	0.4099	0.013500	0.00700	53.42
30m5	0.4342	0.4028	0.013900	0.00680	53.22
35m5	0.4073	0.3917	0.01545	0.00690	53.13
40m5	0.3825	0.3789	0.015650	0.00670	53.43
50m5	0.3451	0.3554	0.013700	0.00590	59.37
57m7	0.3290	0.3417	0.015645	0.00770	58.35
65m7	0.3130	0.3290	0.015610	0.006650	58.34

**Ellipse Definition**


\*Note: Tolerance of measurements of the chromaticity Coordinate is  $\pm 0.005$   
Chromaticity coordinates as per ANSI standard.

**$T_c=85^\circ$  Typical Chromaticity Ellipses**


**Typical optical/Electrical Characteristics Graphs**
 $V_f$ ----- $I_f$ 

 $I_f$ ---- Relative Luminous flux

 $T_j$ -----Relative Luminous Flux

**Wavelength- Relative Emission Intensity**


**Typical Optical/Electrical Characteristics**
**Typical Polar Radiation Pattern**

**Ambient Temperature-Allowable Forward Current**

 **$T_j$ --Forward Voltage**

 **$T_j$ --Chromaticity Coordinate**




## Product Ordering and Shipping Part Number Nomenclature

All mid power products are packaged and labeled with part numbers as outlined in below. When shipped, each reel will contain only a single flux and voltage bin. The part number designation is as follows:

### 3020 Mid Power LEDs

Mid Power	Package Type	Package Configurator	Nominal CCT	Minimum CRI
MP	3020	3100	##	##

Example:

The part number MP-3020-2100-30-80 refers to a 3020 mid power emitter with nominal color temperature of 3,000k and minimum CRI of 80. Please refer to page 5 for a description of available CCT and CRI combinations.

Note 1: CCT Codes:

27 = 2700 k

30 = 3000 k

40 = 4000 k

50 = 5000 k

57 = 5700 k

65 = 6500 k

Note 2: CRI Codes:

70

80

90

Each mid power product shipped will be labeled with its specific flux and voltage bins. Not all bins listed are available in all CCTs and CRIs.

Test Condition = 100mA, T<sub>c</sub>=25 °C

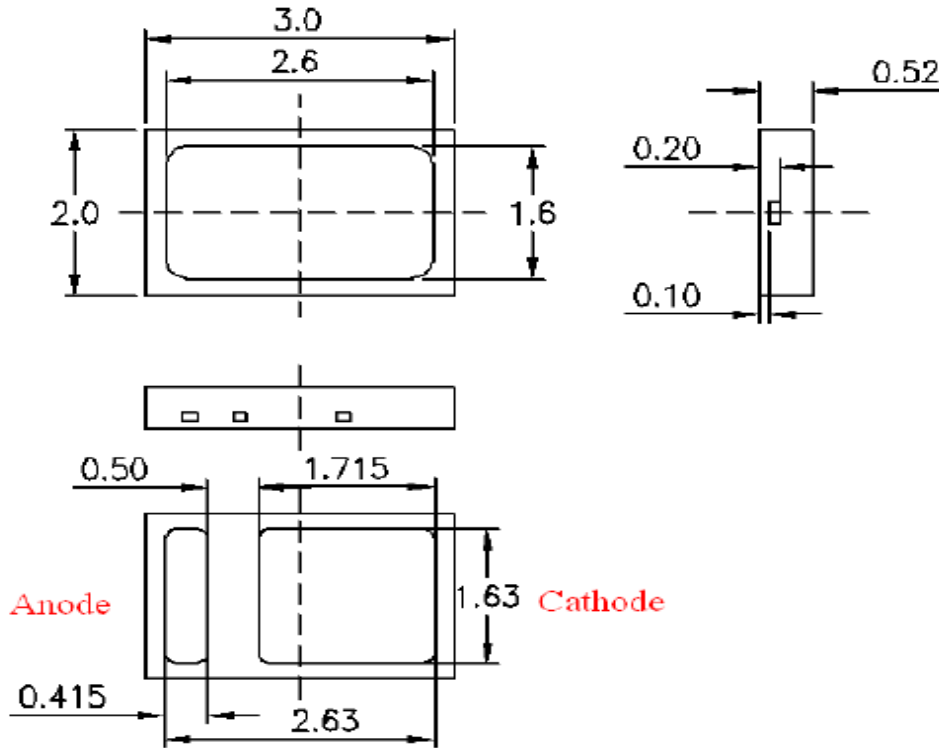
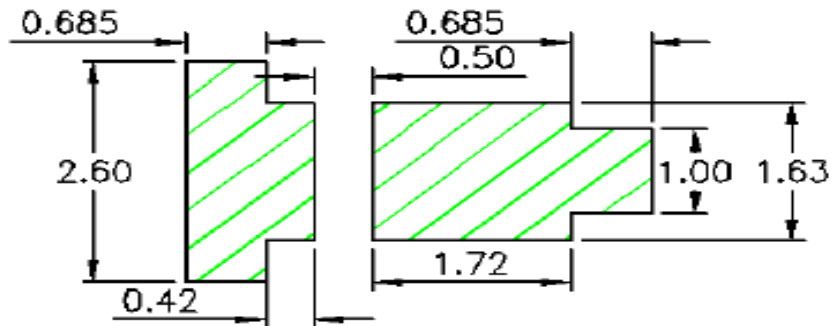
### Luminus Flux Bins

Bin Code	Minimum Flux (Lumens)	Maximum Flux (Lumens)
2A	94	100
2B	100	107
2C	107	114
2D	114	122
2E	122	130
2F	130	139
2G	139	148
2H	148	156

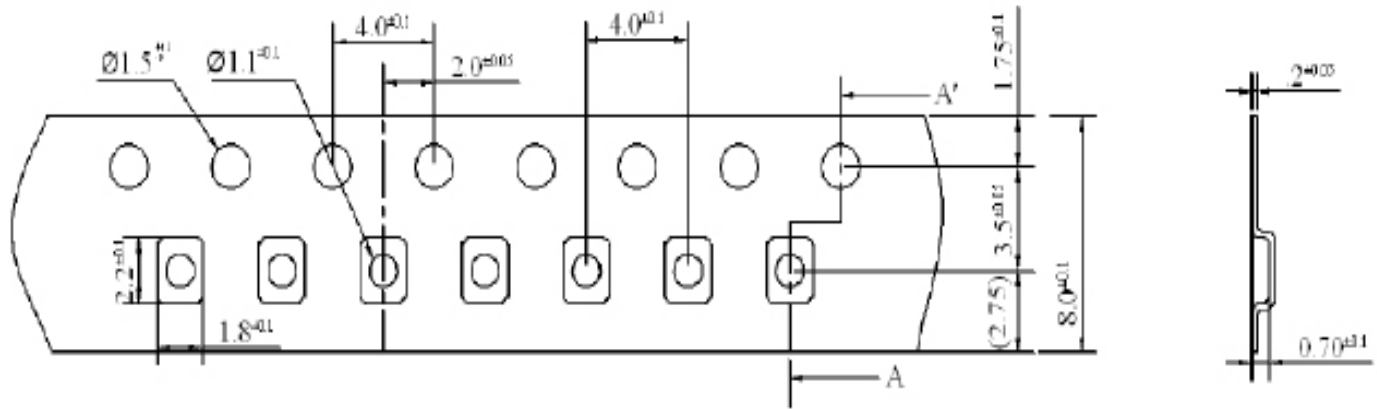
### Forward Voltage Bins (T<sub>c</sub>=25°C)

Bin Code	Minimum Voltage (Volts)	Maximum Voltage (Volts)
Q	8.5	9
M	9	9.5
N	9.5	10

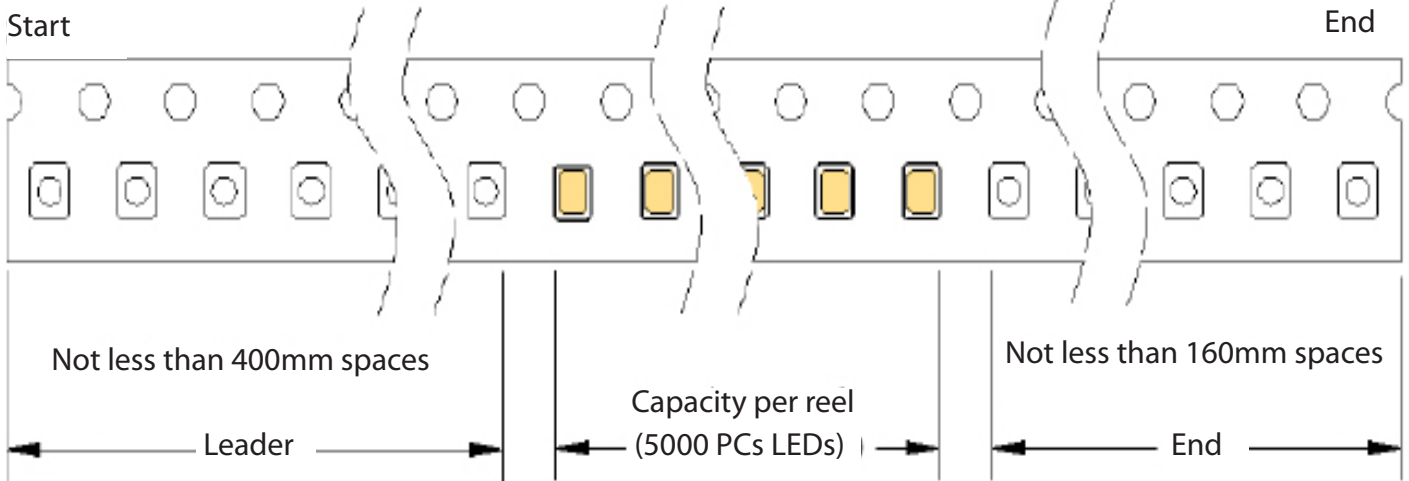
Tolerance of measurements of forward voltage is ±0.1V

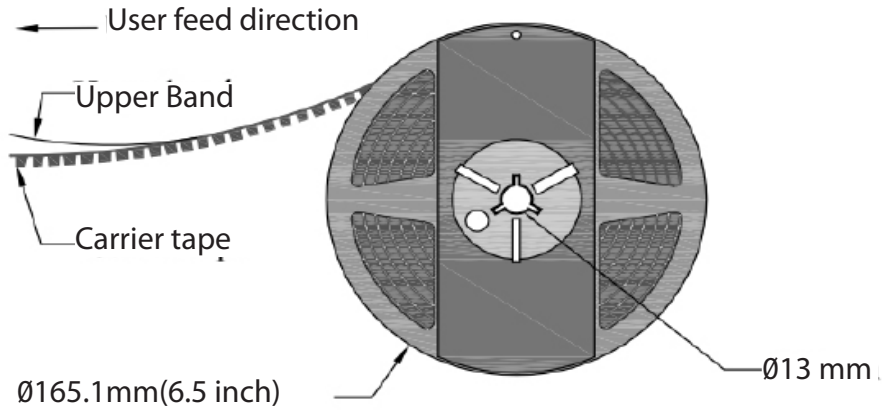
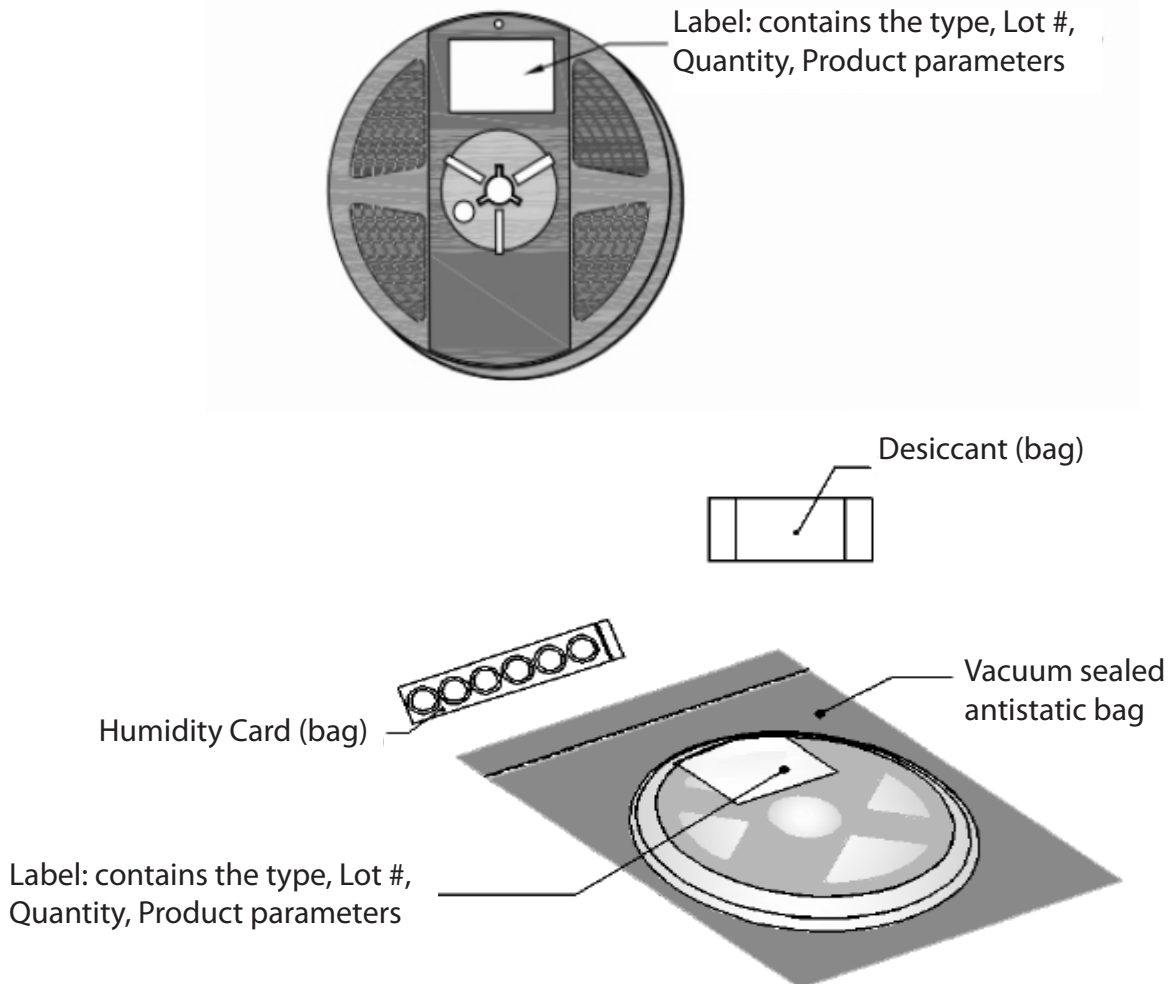
**Package Dimension (mm)**

**Recommended Soldering Pad Pattern**


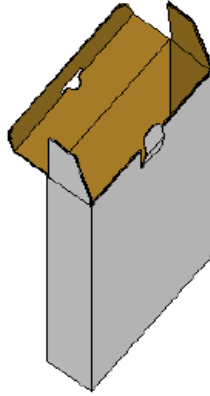
Note: tolerance : .X:  $\pm 0.10\text{mm}$  .XX:  $\pm 0.05\text{mm}$

**Package Dimensions Of Tape(mm)**


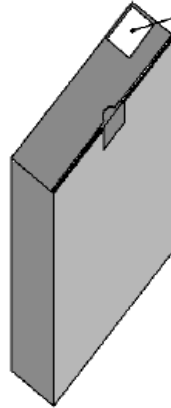
← User feed direction



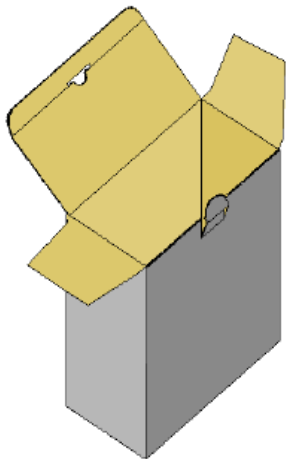
**Package Dimensions of Reel (mm)**

**Package Dimensions of Reel (mm)**


**Box Packaging**

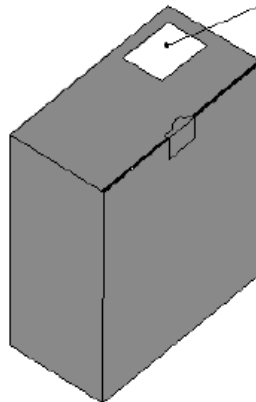
\*Capacity 5 reels per box



Label: contains the type,  
Lot #, Quantity, Product  
parameters



\*Capacity 10 reels per box



Label: contains the type,  
Lot #, Quantity, Product  
parameters

### Precaution for Use

#### Storage:

1. This device is rated at MSL 3 per JEDEC J-STD-020 standard.
2. Recommended storage condition:  
At 5 °C- 30 °C and relative humidity 60% RH in its original package
3. After this bag is opened, devices that will be applied to infrared reflow, vapor - phase reflow, or equivalent soldering process must be:
  - a) Completed within 168 hours
  - b) Stored at less than 60%RH
  - c) If not completely used within 168 hours, seal the remaining in the moisture barrier bag
4. Devices require baking before mounting, if 3 a) is not met.
5. If baking is required, devices must be baked under below conditions:  
24 hours at 60 °C +/-5°C

#### Static Electricity:

1. The products are sensitive to static electricity, and care should be taken when handling them.
2. Static electricity or surge voltage will damage the LEDs. It is recommended to wear a anti-electrostatic wristband or an anti-electrostatic gloves when handling the LEDs.
3. All devices, equipment and machinery must be properly grounded. It is recommended that measures be taken against surge voltage to the equipment that mounts the LEDs.